

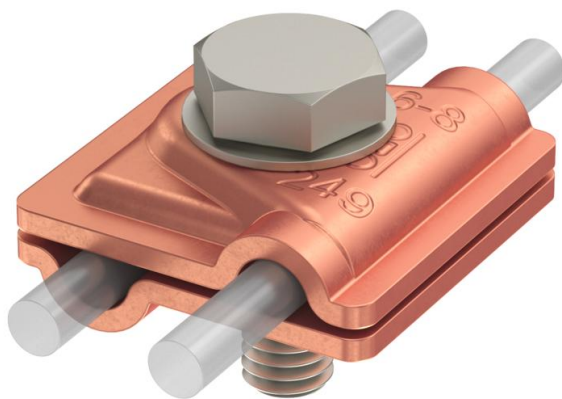
Technical data sheet

Vario quick connector Rd 6-8 / Rd 6-8 mm Cu

Item number: 5311421



- For T, cross-over and parallel connections
- Quick mounting using an M10 x 30 bolt, made from rustproof stainless steel (A2)
- Meets the requirements of VDE 0185-305 (IEC 62305)



Cu Copper

Master data

Item number	5311421
Description 1	Quick connector
Description 2	Vario
Manufacturer	OBO
Dimension	40x40mm
Material	Copper
Smallest sales unit	10
Unit of quantity	Piece
Weight	9.951 kg
Weight unit	kg/100 pc.

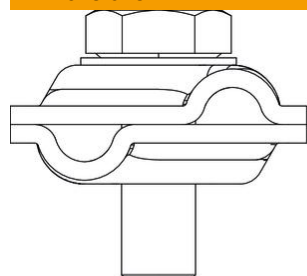
Technical data sheet

Vario quick connector Rd 6-8 / Rd 6-8 mm Cu

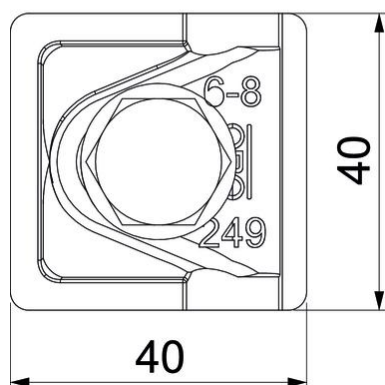
Item number: 5311421



Dimensions



Dimension A 40 mm



Technical data

Type of fastening screw	Hexagonal bolt
Type of connector	Multipurpose connection clamp
Lightning current carrying capacity	H/100 kA
Suitable for connection	Round conductor Rd 6-8 / Rd 6-8
Fit	RD 6-8 / 6-8 mm
Intermediate plate	no