

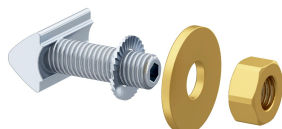
Technical data sheet

Earthing connection for IBIS mounting

Item number: 6115028



Earthing connection to accept an earthing cable via a 6 mm threaded bolt in a groove block.



A2 Stainless steel

Master data

Item number	6115028
Description 1	Earth connection
Description 2	for IBIS installation
Manufacturer	OBO
Dimension	25x10x6
Material	Stainless steel
Smallest sales unit	10
Unit of quantity	Piece
Weight	1.3 kg
Weight unit	kg/100 pc.

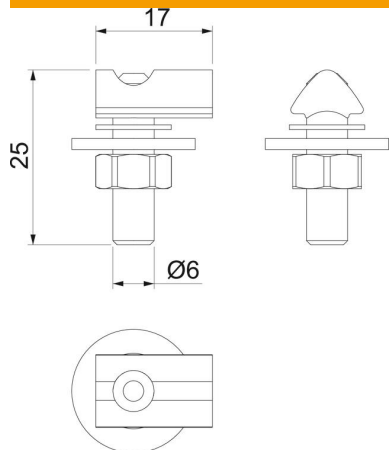
Technical data sheet

Earthing connection for IBIS mounting

Item number: 6115028



Dimensions



Length	25 mm
Width	17 mm
Height	6 mm