

# Technical data sheet

## Cover, 90° bend A2

Item number: 6036972



Cover for 90° bend fitting for lockable and screw-on cable trays in indoor and outdoor areas, to protect cables against damage and soiling. Fastening with pre-mounted sash lock and through attachment of the section cover. Suitable for all side heights.  
The cover can be used with fittings of all side heights.



**A2** Stainless steel

**2B** Bright, treated

### Master data

Item number	6036972
Type	RBD 90 150 A2
Description 1	Cover
Description 2	for 90° bend
Manufacturer	OBO
Dimension	B150mm
Material	Stainless steel
Surface	Bright, treated
Surface standard	
Smallest sales unit	1
Unit of quantity	Piece
Weight	24 kg
Weight unit	kg/100 pc.

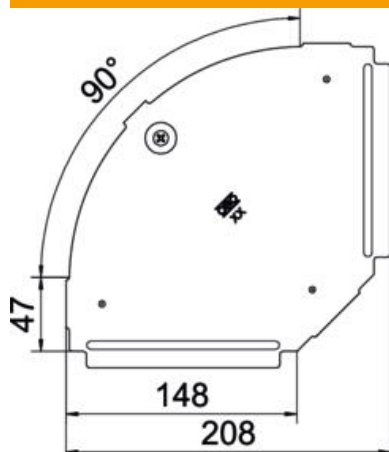
# Technical data sheet

Cover, 90° bend A2

Item number: 6036972



## Dimensions



Width	150 mm
Plate thickness	0.75 mm

## Technical data

Bend (angle)	90°
Number of turn buckles	1 St.
Fastening type	Sash lock
Maintain electrical functions	no
Suitable for mesh cable tray	no
Suitable for cable ladder	no
Suitable for cable tray	yes
Change of direction	Horizontal
Rustproof steel, pickled	no
Hinged	no
Permitted temperature range, max.	120 °C
Permitted temperature range, min.	-20 °C