

# Technical data sheet

## Cover, T piece DD

Item number: 6038644



Cover for T piece fitting for lockable and screw-on cable trays in indoor and outdoor areas, to protect cables against damage and soiling. Fastening with pre-mounted sash lock and through attachment of the section cover. Suitable for all side heights.  
The cover can be used with fittings of all side heights.



**St** Steel

**DD** Strip galvanised zinc/aluminium, Double Dip

### Master data

Item number	6038644
Description 1	Cover
Description 2	for T piece
Manufacturer	OBO
Dimension	B200mm
Material	Steel
Surface	Strip galvanised zinc/aluminium, Double Dip
Surface standard	DIN EN 10346
Smallest sales unit	1
Unit of quantity	Piece
Weight	50 kg
Weight unit	kg/100 pc.

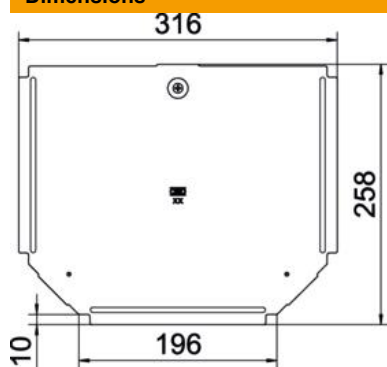
# Technical data sheet

Cover, T piece DD

Item number: 6038644



## Dimensions



Width	200 mm
Plate thickness	0.75 mm
Dimension B	200 mm

## Technical data

Number of turn buckles	1 St.
Fastening type	Sash lock
Suitable for cable ladder	no
Suitable for cable tray	yes
Material thickness	0.75 mm
Rustproof steel, pickled	no
Permitted temperature range, max.	120 °C
Permitted temperature range, min.	-20 °C
Wide-span version	no