

# Technical data sheet

## Rounded head bolt tie, rust-proof

Item number: 3498280



Fire protection screw tie for direct mounting without anchors. Drive TX30, 6 mm drill hole. Tested anchor according to ETAG 001 - Part 3. Fire resistance class to R120 for concrete and masonry.



**A4** Stainless steel

### Master data

Item number	3498280
Type	W-BS-P/ A4
Description 1	Lens head bolt tie
Description 2	with multi -tooth drive
Manufacturer	OBO
Dimension	6x50mm
Material	Stainless steel
Smallest sales unit	1
Unit of quantity	Piece
Weight	1.3 kg
Weight unit	kg/100 pc.

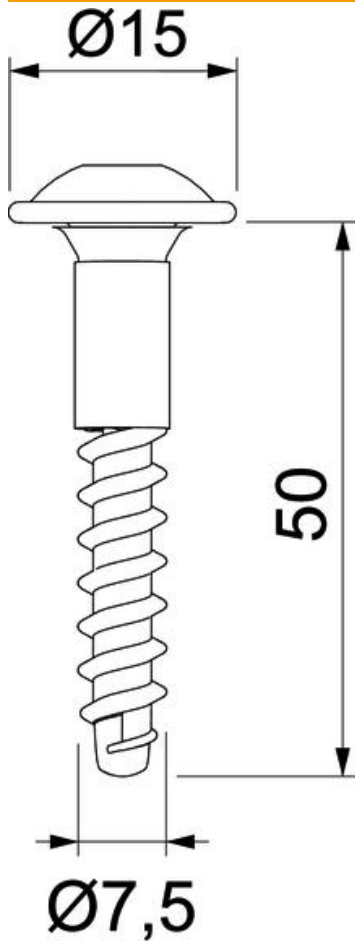
# Technical data sheet

Rounded head bolt tie, rust-proof

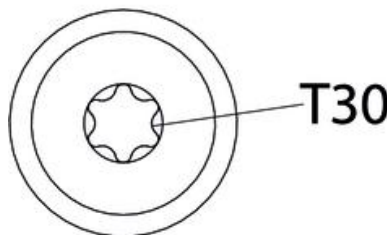
Item number: 3498280



## Dimensions



Dimension	7,5 x 50
Length	50 mm
Dimension L	50 mm



## Technical data

Drill hole diameter, min.	6 mm
Head diameter	15 mm
Screw system	Torx